



# WOOD TOP BAKERS TABLES with Coved Risers



TBS-TBG Series  
with Open Base



BS-BG Series  
with Undersheff



BST-BGT Series  
with 3 Tier Drawers

**FOR MAPLETEX TABLES WITH  
COVED RISERS, PLEASE  
CONSULT FACTORY**

## TBS-TBG Series Open Base

Approx. Shipping Weight  
is 30 lbs. per lineal foot

## BS-BG Series Undersheff

Approx. Shipping Weight  
is 35 lbs. per lineal foot

## BST-BGT Series 3 Tier Drawer

Approx. Shipping Weight  
is 40 lbs. per lineal foot



Item #: \_\_\_\_\_ Qty #: \_\_\_\_\_

Model #: \_\_\_\_\_

Project #: \_\_\_\_\_

### Stainless Steel Base Galvanized Base

Length	30" Wide	36" Wide	30" Wide	36" Wide
48"	TBS-304	TBS-364	TBG-304	TBG-364
60"	TBS-305	TBS-365	TBG-305	TBG-365
72"	TBS-306	TBS-366	TBG-306	TBG-366
84"	TBS-307	TBS-367	TBG-307	TBG-367
96"	TBS-308	TBS-368	TBG-308	TBG-368

### Stainless Steel Base Galvanized Base

Length	30" Wide	36" Wide	30" Wide	36" Wide
48"	BS-304	BS-364	BG-304	BG-364
60"	BS-305	BS-365	BG-305	BG-365
72"	BS-306	BS-366	BG-306	BG-366
84"	BS-307	BS-367	BG-307	BG-367
96"	BS-308	BS-368	BG-308	BG-368

### Stainless Steel Base Galvanized Base

Length	30" Wide	36" Wide	30" Wide	36" Wide
48"	BST-304	BST-364	BGT-304	BGT-364
60"	BST-305	BST-365	BGT-305	BGT-365
72"	BST-306	BST-366	BGT-306	BGT-366
84"	BST-307	BST-367	BGT-307	BGT-367
96"	BST-308	BST-368	BGT-308	BGT-368

## FEATURES & CONSTRUCTION:

Laminated 1-3/4" thick Hard Wood Top with 4" coved corner risers.

Gussets welded to support channels.

### BST or BGT Series

Three tier drawer unit features 20" x 20" x 5" Deep Drawn insets mounted on bearing slides.

### BS or BG Series

Aluminum die cast "leg-to-shelf" clamp secures shelf to leg eliminating unsightly nuts and bolts. Undersheff is adjustable.

### TBS or TBG Series

Front to back Stretchers are welded to legs. Left to right Stretcher bolted to legs and requires assembly.

## MATERIAL:

**TOP:** Laminated 1-3/4" thick hard maple with 4" coved corner risers and reinforced with steel rods.

**SHELF:** **BS Series:** 18 gauge stainless steel.  
**BG Series:** Heavy gauge galvanized steel.

### TIER

**DRAWER:** **BST Series:** 18 gauge stainless steel body, drawer fronts and handles.  
**BGT Series:** Heavy gauge galvanized steel body, drawer fronts and handles.

### LEGS:

**BS - TBS - BST Series:** 1 5/8" diameter tubular stainless steel gussets and 1" adjustable stainless steel bullet feet.  
**BG - TBG - BGT Series:** 1 5/8" diameter heavy gauge tubular galvanized steel with galvanized steel gussets and 1" adjustable plastic bullet feet.

Spice Bins and Shelf are Available



Customer Service Available To Assist You **1-800-645-3166** 8:30 am - 8:00 pm E.S.T.

Email Orders To: [customer@advancetabco.com](mailto:customer@advancetabco.com). For Smart Fabrication™ Quotes, Email To: [smartfab@advancetabco.com](mailto:smartfab@advancetabco.com) or Fax To: 631-586-2933

**NEW YORK**  
Fax: (631) 242-6900

**GEORGIA**  
Fax: (770) 775-5625

**TEXAS**  
Fax: (972) 932-4795

**NEVADA**  
Fax: (775) 972-1578

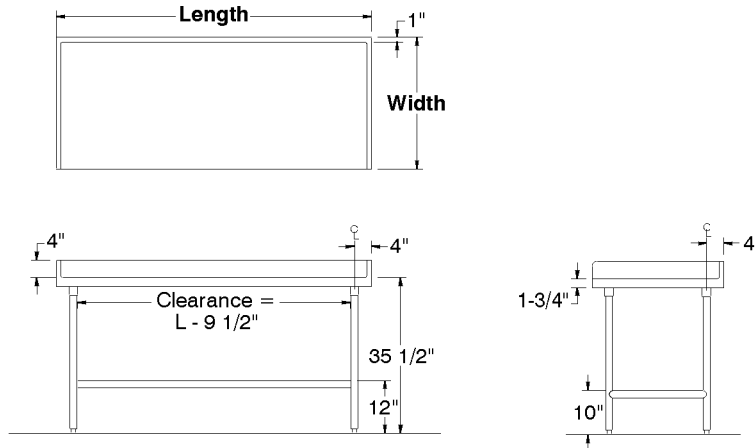
# DETAILS and SPECIFICATIONS

TOL ± .500"

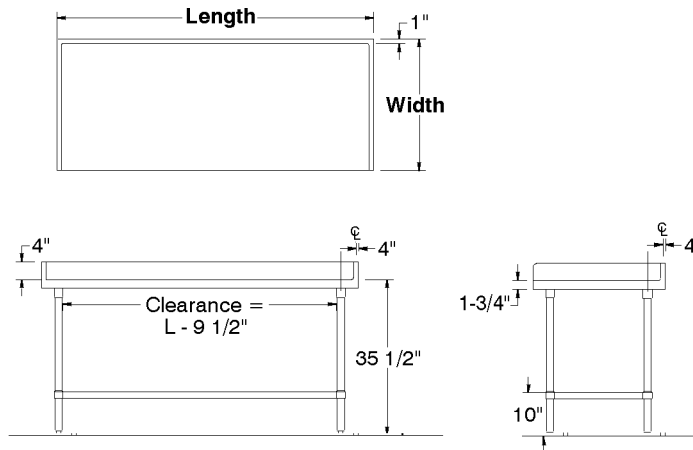
Units 8 ft. & larger are furnished with six (6) legs.

ALL DIMENSIONS ARE TYPICAL

## TBS-TBG Series Open Base



## BS-BG Series Undershelf



## BST-BGT Series 3 Tier Drawer

