



STAINLESS STEEL
ECONOMY EQUIPMENT STANDS

Item #: _____ Qty #: _____
 Model #: _____
 Project #: _____



Featuring as Standard:
"THE PROVEN"
 ORIGINAL ADVANCE TABCO
**Adjustable Undershelf
 with Die Cast Leg Clamp**

L	24" Wide	Wt.	30" Wide	Wt.
15"	--	--	EG-LG-3015-X	29 lbs.
18"	--	--	EG-LG-3018-X	32 lbs.
24"	EG-LG-242-X	43 lbs.	EG-LG-302-X	47 lbs.
30"	--	--	EG-LG-300-X	54 lbs.
36"	EG-LG-243-X	50 lbs.	EG-LG-303-X	62 lbs.
48"	EG-LG-244-X	68 lbs.	EG-LG-304-X	78 lbs.
60"	EG-LG-245-X	80 lbs.	EG-LG-305-X	84 lbs.
72"	EG-LG-246-X	96 lbs.	EG-LG-306-X	110 lbs.

NOTE: "L" = Clear (inside nominal) dimension
 Overall length = "L" + 1/4"

Load Capacity = 42 lbs. Per Sq. Ft.

FEATURES:

TOP is furnished with 1" hemmed edge turned up at both sides; 1" turn up at rear.

Die formed front no-drip V-edge.

Undershelf is adjustable.

Aluminum die cast "leg to shelf" clamp secures shelf to leg eliminating unsightly nuts and bolts.

CONSTRUCTION:

All TIG welded. Exposed weld areas finished to match adjacent surfaces.

Entire Top is mechanically polished to a satin finish and is sound deadened.

Galvanized hat channels are secured to top by means of structural adhesive and weld studs.

Gussets welded to support hat sections.

MATERIAL:

TOP is 18 gauge stainless steel type "430" series with galvanized understructure.

SHELF is galvanized steel.

LEGS are 1 5/8" diameter galvanized steel with plastic bullet feet.

Optional X.H.D. Casters
 TA-25EG-X Set of 4
 Each Set Supplied w/ 2 Brakes.
 (225 lbs. Load Capacity Per Caster)



Customer Service Available To Assist You 1-800-645-3166 8:30 am - 8:00 pm E.S.T.

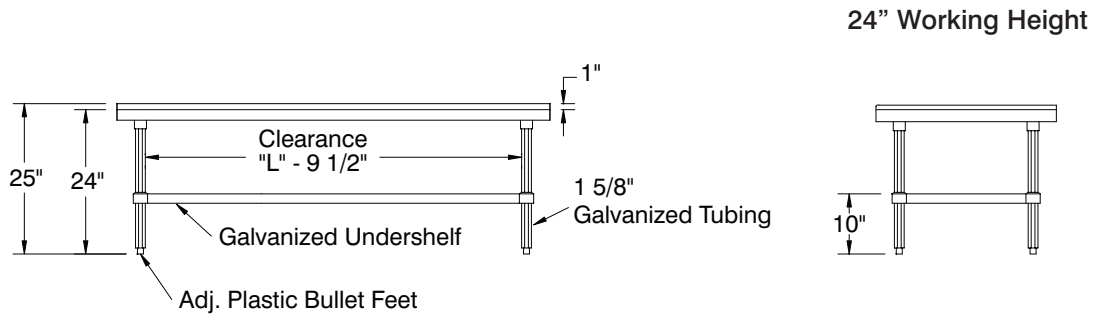
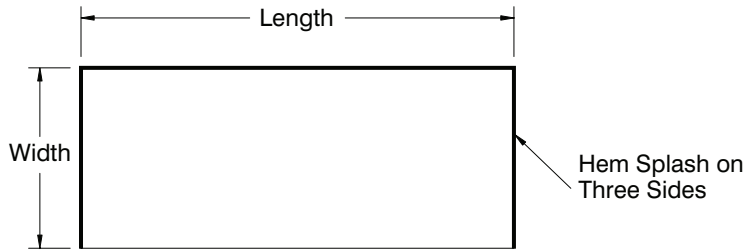
For Orders & Customer Service:
 Email: customer@advancetabco.com or Fax: 631-242-6900

For Smart Fabrication™ Quotes:
 Email: smartfab@advancetabco.com or Fax: 631-586-2933

DETAILS and SPECIFICATIONS

TOL \pm .500"

ALL DIMENSIONS ARE TYPICAL



Mobile Unit

Optional X.H.D. Casters
TA-25EG-X Set of 4
Each Set Supplied w/ 2 Brakes.
(225 lbs. Load Capacity Per Caster)

