



# STAINLESS STEEL SLIDING DOOR STYLE ENCLOSED BASE WORK TABLES



Flat Top



1 1/2" Backsplash



5" Backsplash

### FEATURES:

**FLAT TOP** is furnished with a 1 5/8" sanitary rolled rim on the front and 1 5/8" square bend edges on the 2 sides and rear.

**1 1/2" SPLASH** is furnished with a 1 5/8" sanitary rolled rim on the front side and 1 5/8" square bend edges on the 2 sides and a 1 1/2" splash of single metal thickness on the rear side.

**5" SPLASH** is furnished with a 1 5/8" sanitary rolled rim on the front side and 1 5/8" square bend edges on the 2 sides and a 5" splash with a 1" return on the rear side.

**SLIDING DOORS** have recessed handles for ease in opening and closing.

### CONSTRUCTION:

All TIG welded. Exposed areas finished to match adjacent surfaces. Entire Top is mechanically polished to a satin finish and is sound deadened.

Hat section secured to Top reinforces and maintains level working surface.

UNIT-BODY DESIGN sides, back and fixed mid shelf are welded to form a single rigid structure.

Gussets welded to support hat sections.

### MATERIAL:

TOP is 14 gauge stainless steel type "304" series with galvanized understructure.

BODY is 18 gauge stainless steel type "430" series.

LEGS are 1 5/8" diameter tubular stainless steel with stainless steel gussets and 1" adjustable stainless steel bullet feet.

Item #: \_\_\_\_\_ Qty #: \_\_\_\_\_

Model #: \_\_\_\_\_

Project #: \_\_\_\_\_

### 24" WIDE

Length	FLAT TOP	1 1/2" SPLASH	5" SPLASH	# of Doors	Wt.
48"	CB-SS-244	CF-SS-244	CK-SS-244	2	185 lbs.
60"	CB-SS-245	CF-SS-245	CK-SS-245	2	230 lbs.
72"	CB-SS-246	CF-SS-246	CK-SS-246	2	280 lbs.
84"	CB-SS-247	CF-SS-247	CK-SS-247	4	325 lbs.
96"	CB-SS-248	CF-SS-248	CK-SS-248	4	370 lbs.
108"	CB-SS-249	CF-SS-249	CK-SS-249	4	425 lbs.
120"	CB-SS-2410	CF-SS-2410	CK-SS-2410	4	460 lbs.
144"	CB-SS-2412	CF-SS-2412	CK-SS-2412	4	490 lbs.

### 30" WIDE

Length	FLAT TOP	1 1/2" SPLASH	5" SPLASH	# of Doors	Wt.
48"	CB-SS-304	CF-SS-304	CK-SS-304	2	220 lbs.
60"	CB-SS-305	CF-SS-305	CK-SS-305	2	270 lbs.
72"	CB-SS-306	CF-SS-306	CK-SS-306	2	330 lbs.
84"	CB-SS-307	CF-SS-307	CK-SS-307	4	380 lbs.
96"	CB-SS-308	CF-SS-308	CK-SS-308	4	435 lbs.
108"	CB-SS-309	CF-SS-309	CK-SS-309	4	485 lbs.
120"	CB-SS-3010	CF-SS-3010	CK-SS-3010	4	535 lbs.
144"	CB-SS-3012	CF-SS-3012	CK-SS-3012	4	585 lbs.

### 36" WIDE

Length	FLAT TOP	1 1/2" SPLASH	5" SPLASH	# of Doors	Wt.
48"	CB-SS-364	CF-SS-364	CK-SS-364	2	240 lbs.
60"	CB-SS-365	CF-SS-365	CK-SS-365	2	290 lbs.
72"	CB-SS-366	CF-SS-366	CK-SS-366	2	340 lbs.
84"	CB-SS-367	CF-SS-367	CK-SS-367	4	400 lbs.
96"	CB-SS-368	CF-SS-368	CK-SS-368	4	455 lbs.
108"	CB-SS-369	CF-SS-369	CK-SS-369	4	510 lbs.
120"	CB-SS-3610	CF-SS-3610	CK-SS-3610	4	565 lbs.
144"	CB-SS-3612	CF-SS-3612	CK-SS-3612	4	625 lbs.

Mid Shelves Are Available.

To Add a Fixed Mid Shelf, Add "M" After each Model Number.

Upgrade to Adjustable Mid Shelf. Add TA-116.



Customer Service Available To Assist You **1-800-645-3166** 8:30 am - 8:00 pm E.S.T.

Email Orders To: [customer@advancetabco.com](mailto:customer@advancetabco.com). For Smart Fabrication™ Quotes, Email To: [smartfab@advancetabco.com](mailto:smartfab@advancetabco.com) or Fax To: 631-586-2933

**NEW YORK**  
Fax: (631) 242-6900

**GEORGIA**  
Fax: (770) 775-5625

**TEXAS**  
Fax: (972) 932-4795

**NEVADA**  
Fax: (775) 972-1578

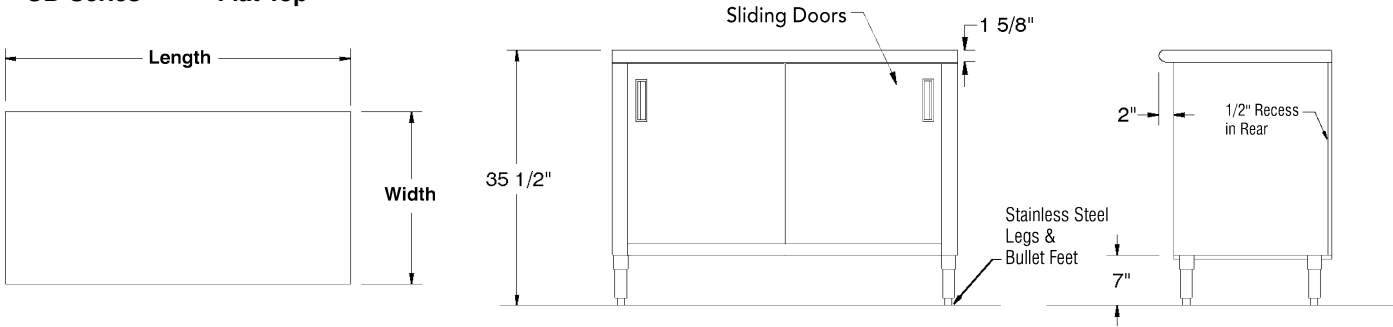
# DETAILS and SPECIFICATIONS

TOL ± .500"

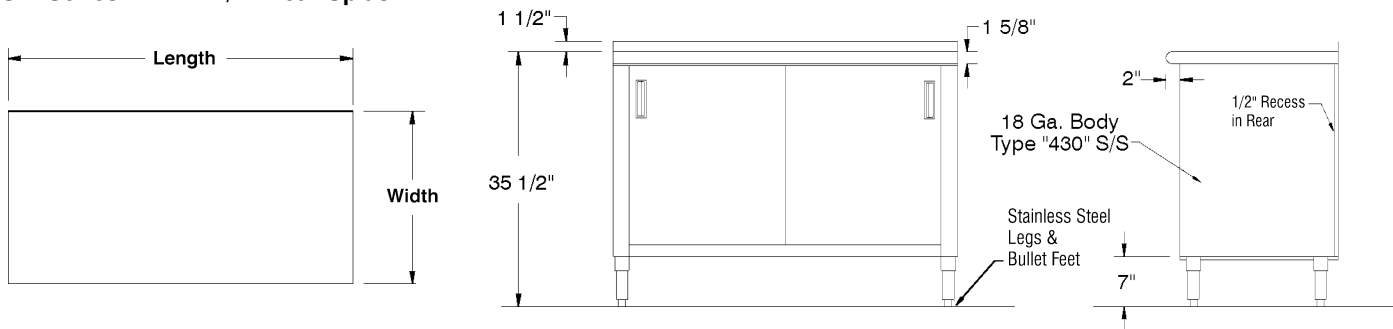
Units 7' and larger are furnished with 6 legs.

ALL DIMENSIONS ARE TYPICAL

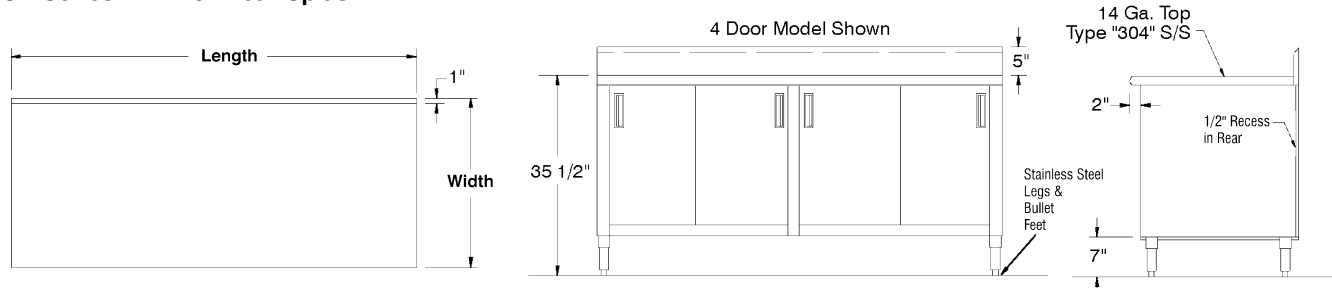
## CB-Series Flat Top



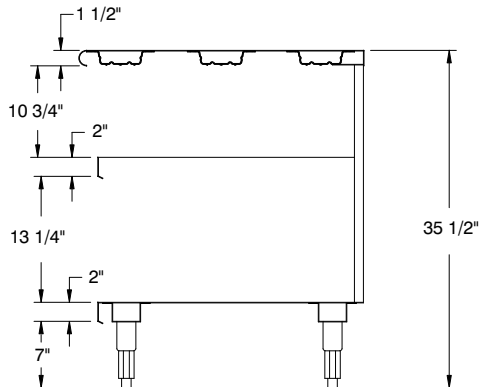
## CF-Series 1 1/2" Rear Splash



## CK-Series 5" Rear Splash



### OPTIONAL MID SHELF DETAILS



### OPTIONAL ENCLOSED BASE ACCESSORIES

- \_\_\_ TA-25P ..... Plate Casters for Enclosed Base Units
- \_\_\_ TA-46 ..... Door Locks
- \_\_\_ TA-54 ..... Removable Kick Plate
- \_\_\_ TA-109 ..... Rear Flush Finished Inset Panel

### TA-116 ADJUSTABLE ENCLOSED BASE CABINET MID SHELF

Add To Price of Enclosed Base Table with Fixed Mid Shelf (M).

Shelves Over 36" In Length Require Multiple Sections With Center Partition.

