



a **Standex** company

ITEM: \_\_\_\_\_ PROJECT NAME: \_\_\_\_\_ DATE: \_\_\_\_\_

## HIGH VOLUME NON-REFRIGERATED BAKERY CASE

**MODEL SGD3148  
SGD3642 SGD3648  
SGD5042 SGD5048  
SGD5942 SGD5948  
SGD7742 SGD7748**



*Display more product and serve more customers with presentation and value in mind. Cases are available in lengths of 31", 36", 50", 59", and 77". Designed for continuous case line-ups without middle end glass.*

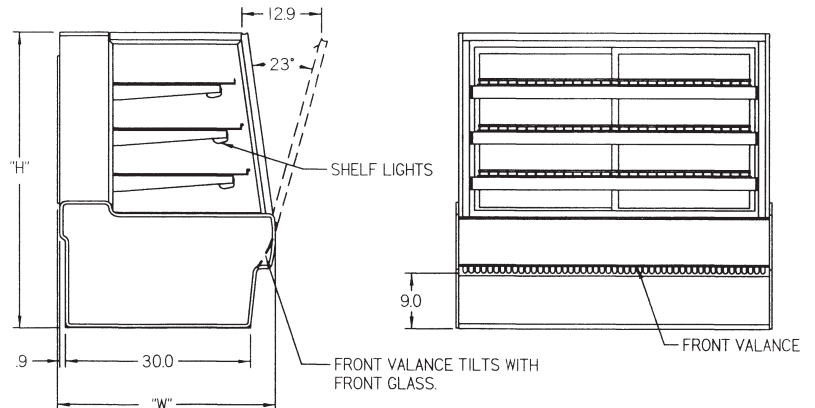
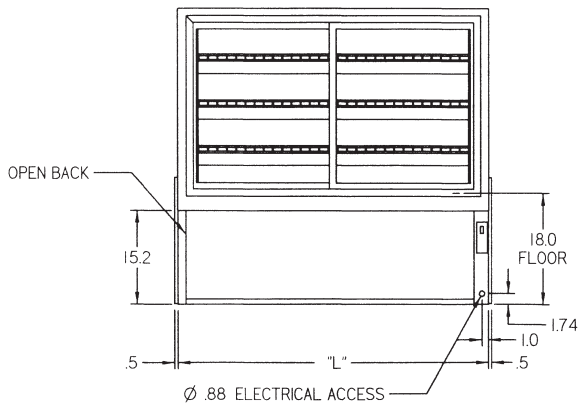
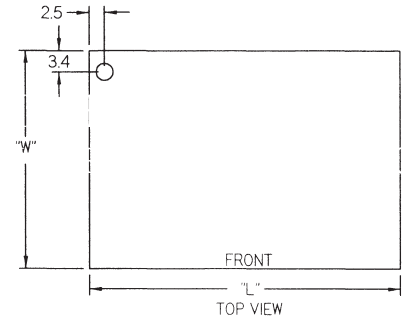
### STANDARD FEATURES

- Adjustable white wire shelves. Shelves are adjustable up and down and can also be tilted in three positions. 48" models have three tiers of shelves; 42" models have two tiers of shelves.
- Tempered tilt-out front glass for easy cleaning. Front glass is sloped for high visual product display.
- Tempered glass top, ends, and doors.
- Removable sliding rear doors, shelf lights, shelf supports, and shelves.
- 31" and 36" have two swing doors.
- Shielded top light and shelf lights.
- Steel base construction with a choice of six standard laminates on base. Other finishes optional.
- Scratch-resistant, corrosion-proof white vented display deck.
- Designed for continuous line-ups.
- Black trim.
- UL Safety and UL Sanitation Listed.

# HIGH VOLUME NON-REFRIGERATED BAKERY CASE

## OPTIONAL ACCESSORIES:

- Special Base Finish
- Glass Shelves
- Rear Wrapping Board
- Cord & Plug (NEMA 5-15P)
- Fan Kit
- Black, Gold, or Chrome Wire Shelves
- Reflective Ends
- White or Mirrored Interior Ends with Laminated Exterior
- Reflective Rear Doors
- Casters/Cord & Plug Included
- Legs
- Top Cutting Board, White
- Package Shelf
- Light Below Package Shelf
- Front Glass & Rear Door Locks
- Joining Kit for Continuous Line-ups



## SPECIFICATIONS:

Model	Dimensions			Shipping Weight (lbs.)	Bakery Pan Capacity	Electrical (120/60/1)
	L	W	H			
SGD3148	31.13"	35.31"	48"	270	4 (18" x 26") & 4 (9" x 26")	1.5 AMPS
SGD3642	36.13"	35.31"	42"	385	3 (18" x 26") & 3 (9" x 26")	1.5 AMPS
SGD3648	36.13"	35.31"	48"	400	4 (18" x 26") & 4 (9" x 26")	1.5 AMPS
SGD5042	50.13"	35.31"	42"	425	6 (18" x 26") & 3 (9" x 26")	1.5 AMPS
SGD5048	50.13"	35.31"	48"	480	8 (18" x 26") & 4 (9" x 26")	1.5 AMPS
SGD5942	59.13"	35.31"	42"	505	9 (18" x 26")	1.5 AMPS
SGD5948	59.13"	35.31"	48"	535	12 (18" x 26")	1.5 AMPS
SGD7742	77.13"	35.31"	42"	685	12 (18" x 26")	1.5 AMPS
SGD7748	77.13"	35.31"	48"	715	16 (18" x 26")	1.5 AMPS

- If a GFCI circuit is required, a GFCI Breaker Must be used instead of GFCI receptacle.
- Due to continuing engineering improvements, specifications are subject to change without notice.



## Look to Federal for Innovative Merchandising



*The Signature of Quality*

**FEDERAL INDUSTRIES**  
A Standex Company

215 FEDERAL AVENUE, BELLEVILLE, WISCONSIN 53508-9201

PHONE: 800-356-4206

EMAIL: [geninfo@federalind.com](mailto:geninfo@federalind.com)

FAX: 608-424-3234

WEBSITE: [www.federalind.com](http://www.federalind.com)

