

Spec-Bar 2000® Units**ASSEMBLY INSTRUCTIONS****CAUTION**

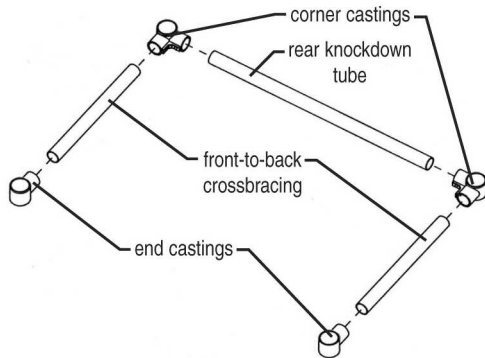
INSPECT CONTENTS IMMEDIATELY AND FILE CLAIM WITH DELIVERING CARRIER FOR ANY DAMAGE.

SAVE YOUR BOX AND ALL PACKING MATERIALS.

YOU ARE RESPONSIBLE FOR DAMAGE TO YOUR UNIT IF RETURNED IMPROPERLY PACKED.

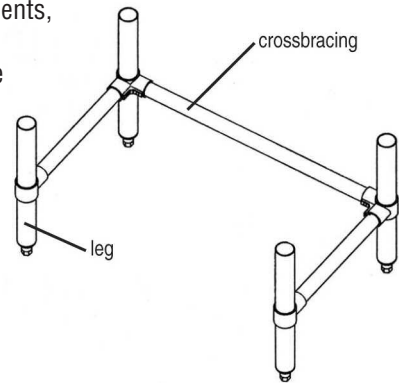
Step 1 - Assemble crossbracing.

- Tighten set screws.

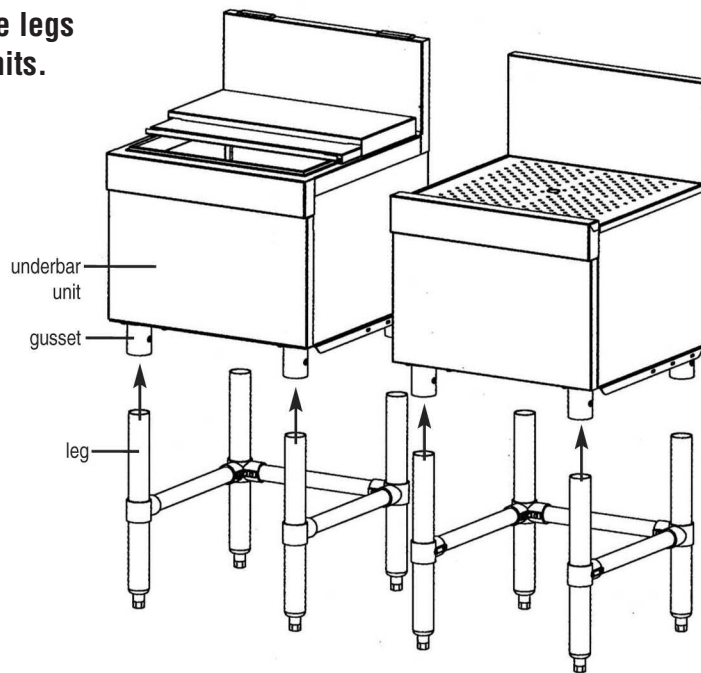
**Step 2 - Attach crossbracing to legs.**

Note: To meet NSF requirements, attach crossbracing at least 6" clear from the floor to the bottom of crossbracing.

- On legs, measure and mark desired height of crossbracing.
- Snug the set screws.

**Step 3 - Assemble legs to all underbar units.**

- Tighten all screws.



(continued on back page)

EG10024 Revised 01/07

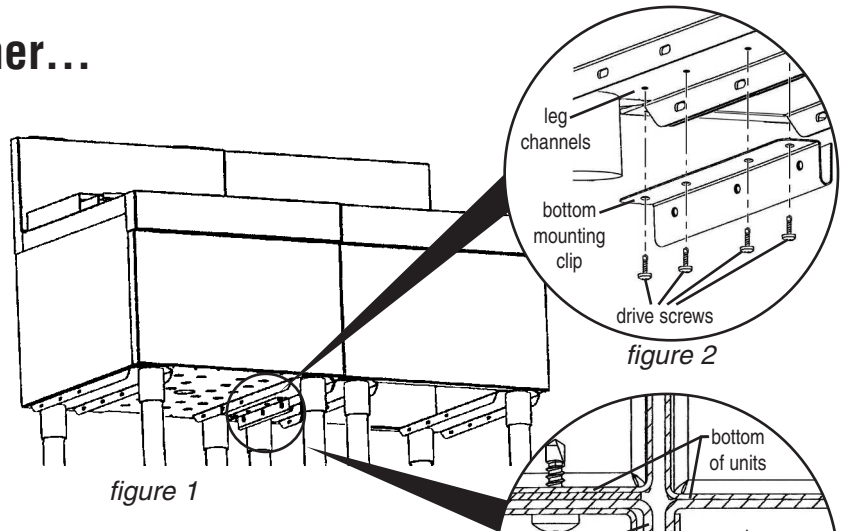
Spec-Bar 2000® Units

ASSEMBLY INSTRUCTIONS

Joining underbar units together...

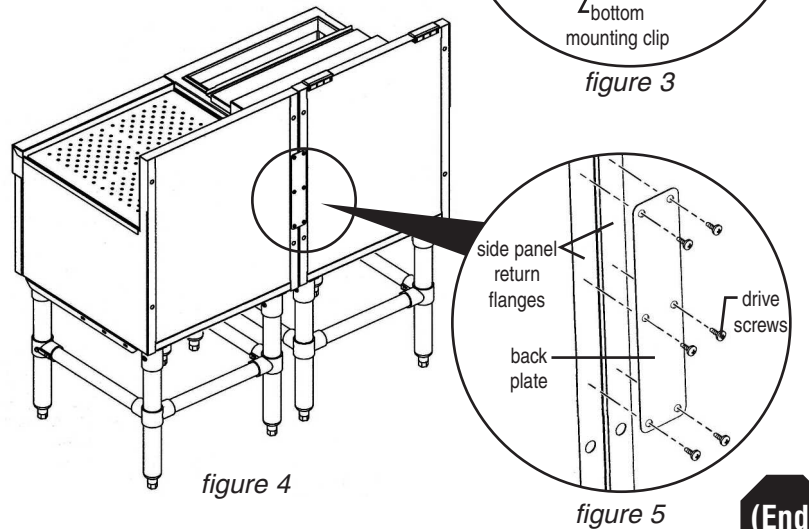
...via bottom mounting plate.

- 1) Align units side-by-side as desired (*figure 1*).
- 2) Adjust height of feet using adjustable feet until units are level.
- 3) With the drive screws, screw the bottom mounting clip to the leg channels (*figure 2*).
- 4) Screw the bolts through the clip and leg channels, and apply the nut as shown in *figure 3*.



...via back plate.

- 1) Align units side-by-side as desired (*figure 4*). A clamp can be used to pull the units together, if necessary.
- 2) Adjust height of feet using adjustable feet until units are level.
- 3) With the drive screws, screw the plate and the side panel return flanges together (*figure 5*).



(End)

WARRANTY

Eagle Foodservice Equipment warrants that goods supplied hereunder manufactured by Eagle Foodservice Equipment will be free from defects in material and construction at the time they leave our factory.

Within a period of one year from the date of original installation of the equipment not to exceed 18 months from date of shipment from Eagle, Eagle Foodservice Equipment will replace without charge any defective parts or component material upon demonstration to its satisfaction that a breach of warranty did not exist. This warranty applies to parts or component material only. All parts, whether covered by warranty or purchased for replacement or repair, will be shipped FOB Factory. All parts returned to the factory must be shipped prepaid. Under no circumstances will we be liable for any claims for labor or subsequent damage.

WARRANTY AUTOMATICALLY BECOMES NULL AND VOID IF UNDERBAR UNIT HAS BEEN USED WITH A GAS BURNER.

There are no warranties which extend beyond these warranties. All other expressed or implied warranties, including those of merchantability or fitness for a particular purpose, which exceed the warranties stated above, are disclaimed by Eagle foodservice Equipment and excluded from this agreement. No employee or agent of ours has any authority to make any representation or warranty which exceeds the warranties stated above.

NO EAGLE FOODSERVICE EQUIPMENT MAY BE RETURNED EXCEPT UPON WRITTEN AUTHORIZATION FROM EAGLE FOODSERVICE EQUIPMENT.



- 100 Industrial Boulevard, Clayton, Delaware 19938-8903 U.S.A. • www.eaglegrp.com
- Phone: 302/653-3000 • (Foodservice) 800/441-8440 • (MHC/Retail) 800/637-5100
- Fax: 302/653-2065