

## VENTURA FLEX TABLETOP CORN TORTILLA MACHINE

*This machine's specialty is to produce perfect corn tortillas ready to cook.*



### Standards Features

- Production: 840 raw tortillas per hour
- NSF & ETL certified
- Stainless steel construction
- Food grade plastic rollers
- Interlocked covers & doors
- Motor sealed for life
- Gear transmission
- Thermal overload protection

### Technical Data

Current (amps)	2
Voltage (volts)	115
Height	18"
Width	24"
Depth	23"
Weight	128 #
Cord Length	6'

### Description

This Ventura Flex gear driven Tabletop Corn Tortilla machine specialty is to produce perfect corn tortillas ready to cook at your small restaurant kitchen.

A stainless-steel construction, Food grade plastic rollers and a 6 ¼ tortilla cutter are included.

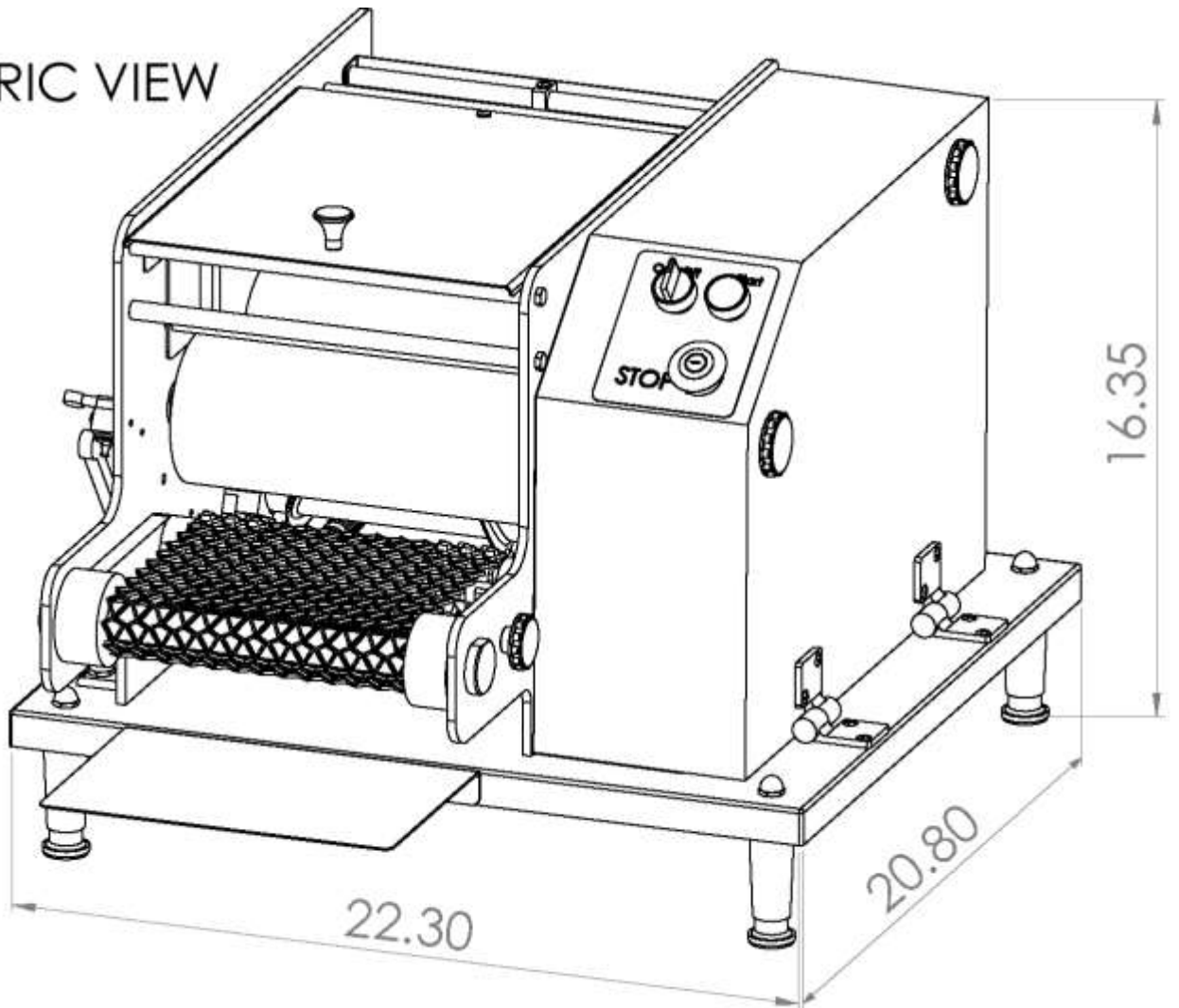
The Ventura Flex has a 115 V single phase electrical rating.



# TM105 Ventura Flex

*Tabletop Corn Tortilla Machine*

DIMETRIC VIEW

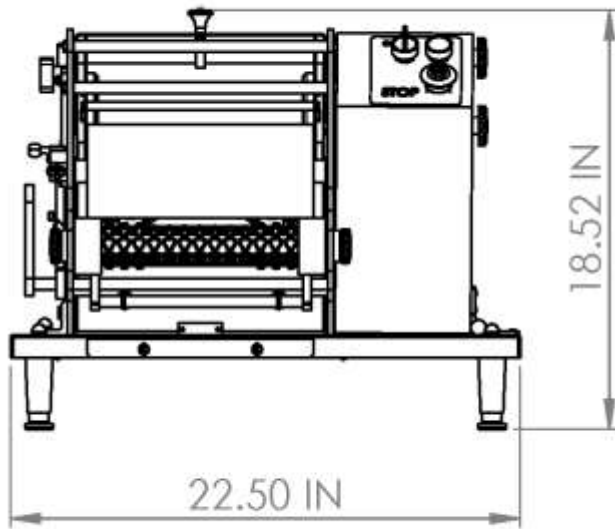




# TM105 Ventura Flex

*Tabletop Corn Tortilla Machine*

FRONT VIEW



RIGHT SIDE VIEW

