



Project:

Item Number:

Quantity:

AFFORDABLE PORTABLE™ – 3 AND 4 WELL HOT FOOD STATION



4-Well Hot with Buffet Breath Guard



4-Well Hot with Cafeteria Breath Guard

Affordable Portable™ Hot Food Stations

DESCRIPTION & FEATURES

- Vollrath Affordable Portable™ hot food stations are constructed of vinyl-clad, 20-gauge carbon steel.
- High-density glass fiber insulation.
- Standard models include Buffet breath guards.
- The hot food stations are available in four versatile colors: granite, walnut woodgrain, black and cherry woodgrain.
- Countertops are manufactured from 20-gauge stainless steel.
- Two locking casters included.
- Spillage pans required. Order separately.
- Dial controls.
- **Affordable Portable™ orders cannot be canceled or returned.**

Lighting (requires buffet breath guard, bulbs not included)

- Factory-installed option
- 120V or 120/208-240V
- Heat lamp bulbs (order separately)

Item	Description
72242	White, 250W
72241	Red, 250W

AGENCY CERTIFICATIONS



Due to continued product improvement, please consult www.vollrathco.com for current product specifications.

MODELS

Description	Black	Walnut Woodgrain	Granite	Cherry Woodgrain
3 Well Hot Food Station - 120V				
Solid base ¹	38707	38935	38727	38767
Solid w/lights ²	3870746	3893546	3872746	3876746
Open Storage ¹	38708	38936	38728	38768
Open w/lights ²	3870846	3893646	3872846	3876846
Storage w/door ¹	38709	38937	38729	38769
Storage w/door, w/lights ²	3870946	3893746	3872946	3876946
Cafeteria unit ^{1,3}	39707	39935	39727	39767
Cafeteria unit w/open storage ^{1,3}	39708	39936	39728	39768
Cafeteria unit w/storage door ^{1,3}	39909	39937	39729	39769
4 Well Hot Food Station - 120V				
Solid base ¹	38710	38945	38730	38770
Solid w/lights ²	3871060	3894560	3873060	3877060
Open Storage ¹	38711	38946	38731	38771
Open w/lights ²	3871160	3894660	3873160	3877160
Storage w/door ¹	38712	38947	38732	38772
Storage w/door, w/lights ²	3871260	3894760	3873260	3877260
Cafeteria unit ^{1,3}	39710	39945	39730	39770
Cafeteria unit w/open storage ^{1,3}	39711	39948	39731	39771
Cafeteria unit w/storage door ^{1,3}	39712	39947	39732	39772

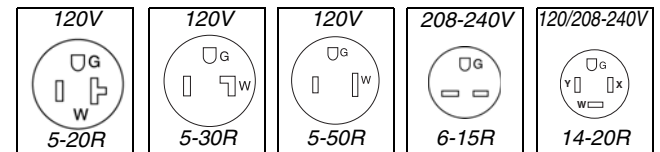
- ¹ For 208-240V without lights, add 2 to the model number.
- ² For 120/208 and 120/240V with lights, add 4 to the model number.
- ³ Includes Cafeteria breath guard with acrylic panel.

ELECTRICAL PLUG SPECIFICATIONS

Incandescent lamps only (250W maximum per fixture)

Description	Volts	Amps	Receptacle	Electrical Service (A)
3-Well	120	13.1	5-20R	20
4-Well		17.5	5-30R	30
3-Well	208-240	8.8	6-15R	15
4-Well		11.7	6-15R	15
3-Well with Lights	120	19.4	5-30R	30
4-Well with Lights		25.8	5-50R	50
3-Well with Lights	120/208-240	13	14-20R	20
4-Well with Lights		15.9	14-20R	20

RECEPTACLE CONFIGURATIONS



Approvals	Date:

Affordable Portable™ – 3 and 4 Well Hot Food Station

The Vollrath Company, L.L.C.



Setting the Standard™

www.vollrathco.com

The Vollrath Company, L.L.C.
 1236 North 18th Street
 Sheboygan, WI 53081-3201
 U.S.A.
 Main Tel: 800.628-0830
 Service Tel: 800.628.0832
 FAX: 800.752.5620

Vollrath of Canada, Co.
 Tel: 800.695.8560
 FAX: 800.752.5620

AFFORDABLE PORTABLE™ – 3 AND 4 WELL HOT FOOD STATION

ACCESSORIES AND ADD-ONS

Cashier Station

- Stable stainless steel work surface
- Wide enough for almost any register or terminal
- Open base and bottom shelf for extra storage
- Cash drawer not available
- Unit depth: 24" (61 cm)



Description	Dimensions (LxH) Inches (CM)	Black	Walnut Woodgrain	Granite	Cherry Woodgrain
Cashier Station	24 x 35 (60.9 x 89)	38700	38905	38720	38760

Tray Slides and Cutting Boards

- Polyethylene cutting boards
- 300 series stainless steel tray slide
- Fold-down mounting brackets
- Cutting boards add 4" (10.2 cm) and tray slides add 5½" (14 cm) to width of unit in folded position



Tray Slide	Cutting Board	Description	Case Lot
39924	39824	Fits 24" (61 cm) Affordable Portable™	1
39946	39846	Fits 46" (117 cm) Affordable Portable™	1
39960	39860	Fits 60" (152 cm) Affordable Portable™	1

Spillage Pans

- Stainless steel or aluminum
- Accepts standard size pans
- Can use with adaptor plates or insets
- Suitable for bulk storage



99870

Item	Description	Case Lot
99765	Standard edge stainless spillage pan	1
99780	Dripless stainless spillage pan	1
99785	Aluminum spillage pan	1

Plate Rests

- Stainless steel
- Fold-down mounting kit
- Designed for Affordable Portable™ only
- Surface width: 7" (17.8 cm)
- Adds 4½" (11.4 cm) to width of unit in folded position



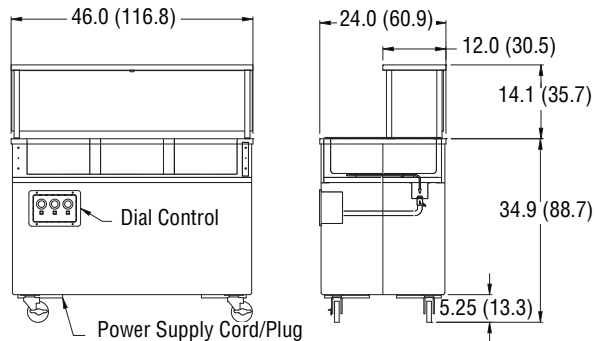
Item	Description	Case Lot
38992	24" (61 cm) plate rest with mounting kit	1
38993	46" (117 cm) plate rest with mounting kit	1
38994	60" (152 cm) plate rest with mounting kit	1

STORAGE OPENING DIMENSIONS

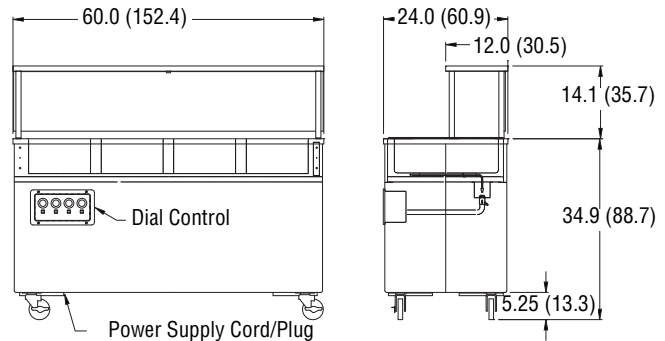
Description	Dimensions (L x W x H): IN (CM)
60" Unit	50 x 23 x 16½ (127 x 58 x 42)
46" Unit	36 x 23 x 16½ (91.5 x 58 x 42)

HOT FOOD STATION DIMENSIONS

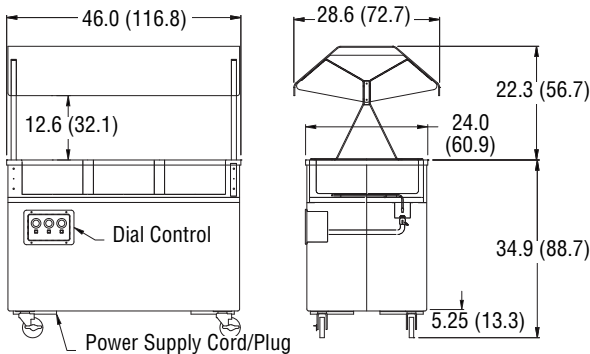
3 Well Hot Food Station with Cafeteria Breath Guard



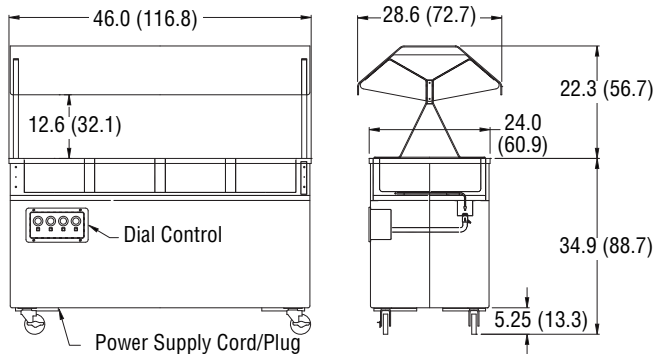
4 Well Hot Food Station with Cafeteria Breath Guard



3 Well Hot Food Station with Buffet Breath Guard



4 Well Hot Food Station with Buffet Breath Guard



www.vollrathco.com

The Vollrath Company, L.L.C.
1236 North 18th Street
Sheboygan, WI 53081-3201
U.S.A.
Main Tel: 800.628-0830
Service Tel: 800.628.0832

Vollrath of Canada, Co.
Tel: 800.695.8560
FAX: 800.752.5620