



Project:

Item Number:

Quantity:

CAYENNE® STANDARD-DUTY 10LB ELECTRIC FRYERS



40705



40707

Cayenne® Standard-Duty Electric Fryers

MODELS

- 40705 Fryer 10 lb.
- 40706 Fryer 10 lb.
- 40707 Fryer, 2 x 10 lb.
- 40708 Fryer, 2 x 10 lb.

FEATURES

- Dual unit provides increased volume and separation of food types to prevent flavor transfer from oil
- Ideal for small pubs, colleges, and product-specific applications
- Lift-out, one-piece stainless steel tank with carrying handles for easier cleaning
- Minimal footprint to accommodate tight counter spaces
- Thermostatically controlled to 375° F (190° C)
- Automatic thermal overload shutoff at 390° F (199° C) for safety
- Micro-switch shuts down unit for safety when element box is removed
- Quick heat-up and temperature recovery time between loads
- Nickel-plated steel wire basket with cool-touch handle
- "Power On" indicator light
- Non-skid rubber feet prevent slipping
- Ships with two baskets per unit

DESCRIPTION

Vollrath deep fat fryers are designed to create a delicious variety of crisp fried food with minimal fuss. Delight your customers with french fries, chicken, seafood, and more.

Agency Listings



Due to continued product improvement, please consult www.vollrathco.com for current product specifications.

Approvals

Date:

Cayenne® Standard-Duty 10lb Electric Fryers

The Vollrath Company, L.L.C.



Setting the Standard™

www.vollrathco.com

The Vollrath Company, L.L.C.
 1236 North 18th Street
 Sheboygan, WI 53081-3201 U.S.A.
 Customer Service: 800.628.0830
 Canada Customer Service: 800.695.8560
 Main Fax: 800.752.5620 or 920.459.6573

Technical Services: 800.628.0832
 Technical Services Fax: 920.459.6573

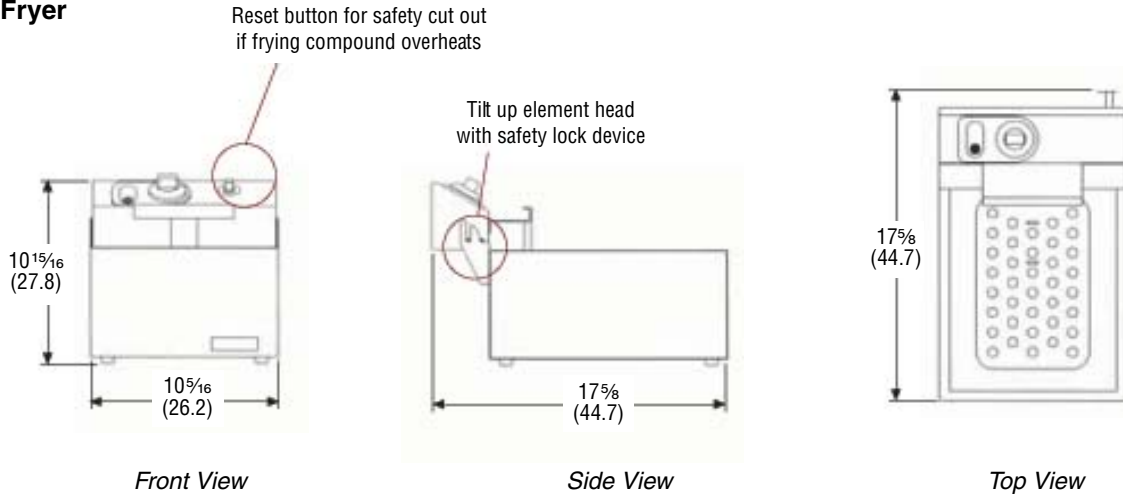
CAYENNE® STANDARD-DUTY 10LB ELECTRIC FRYERS

MODELS	40705 Fryer 10 lb.	40707 Fryer, 2 x 10 lb.
	40706 Fryer 10 lb.	40708 Fryer, 2 x 10 lb.

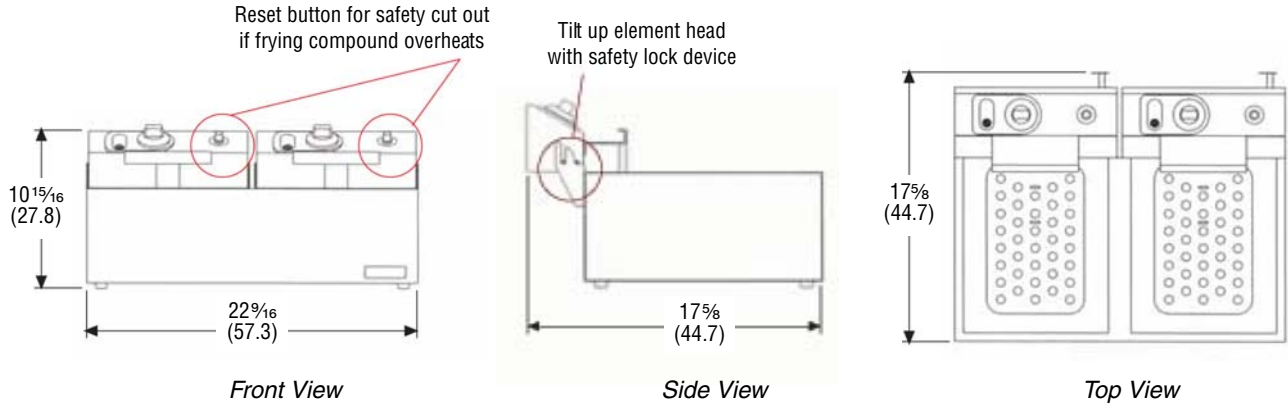
DIMENSIONS

Dimensions shown in inches (cm).

10 Lb. Fryer



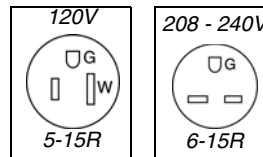
2 x 10 Lb. Fryer



SPECIFICATIONS

Item	Number of Wells	Watts	Volts	Amps	Plug
40705	1	1800	120	15	5-15P
40706	1	2500	220	11.3	6-15P
40707	2	1800 per well	120	15 per well	5-15P
40708	2	2500 per well	220	11.3 per well	6-15P

Receptacles



www.vollrathco.com

The Vollrath Company, L.L.C.
 1236 North 18th Street
 Sheboygan, WI 53081-3201 U.S.A.
 Customer Service: 800.628.0830
 Canada Customer Service: 800.695.8560
 Main Fax: 800.752.5620 or 920.459.6573

Technical Services: 800.628.0832
 Technical Services Fax: 920.459.6573