



# HEATED DISPLAY CABINET

36" / 48" / 60" WIDE

## HEATED DISPLAY CABINET ELECTRIC



*"Anvil's heated display cabinet is a great way to present your food and keep it warm. Suitable for all types of foodstuffs."*

### APPLICATION

- ENHANCES FOOD PRESENTATIONS
- KEEPS FOOD AT THE RIGHT TEMPERATURE
- 2 X SHELVES - BOTTOM SHELF WILL ACCOMODATE HALF SIZE PANS

### CONSTRUCTION

- EASY TO CLEAN
- TRIPLE GLAZED FRONT GLASS GIVES ADDED STRENGTH AND INSULATION
- SUITABLE FOR RECESSING INTO COUNTER TOP

Anvil reserves the right, without notice, to make changes and revisions to product specifications, materials and design, which in our opinion, will provide better performance, durability and efficiency.



ALL ANVIL EQUIPMENT COMES WITH A ONE YEAR WARRANTY ON COMPONENTS AND DEFECTIVE WORKMANSHIP



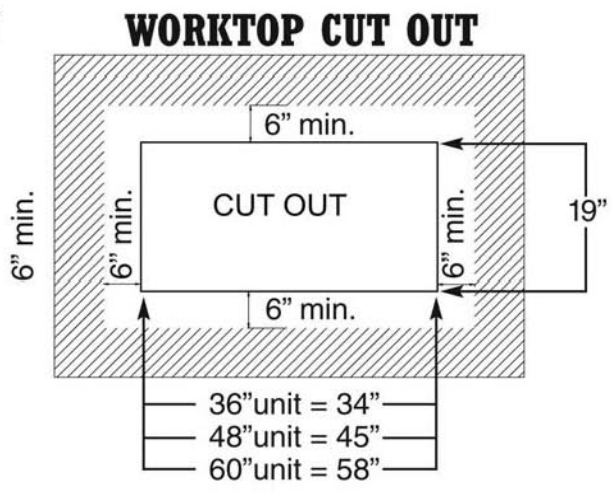
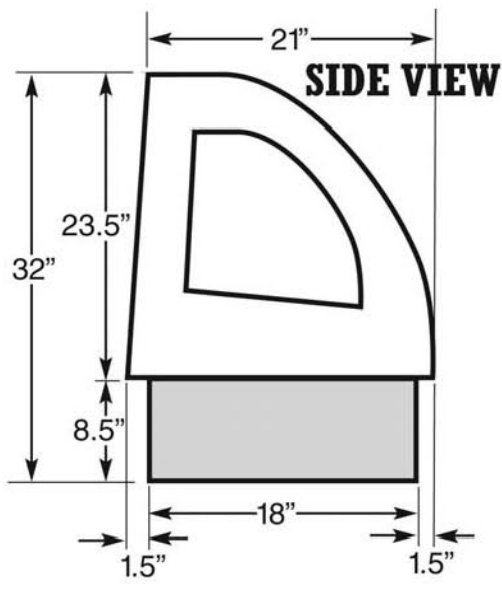
# ANVIL



**NOTE:**  
 When viewing the appliance from the front in its usual operating position, the width (W) of the product is the total distance from left to right ; the depth (D) of the product is the total distance from front to back ; the height (H) is the total distance from the bottom of the product to the top

## HEATED DISPLAY CABINET ELECTRIC

**MODELS:**  
 HDE7136  
 HDE7148  
 HDE7160



DESCRIPTION	HEATED D/C	HEATED D/C	HEATED D/C
<b>MODELS</b>	HDE7136	HDE7148	HDE7160
<b>WIDTH</b>	36"	48"	60"
<b>VOLTAGE</b>	110	110	110
<b>POWER (kW)</b>	0.76kW	0.8kW	0.84kW
<b>DIMENSIONS (in) (W x D x H)</b>	36 x 21 x 33	48 x 21 x 33	60 x 21 x 33
<b>BOX DIMS (in) (W x D x H)</b>	39 x 25 x 40	51 x 25 x 40	63 x 25 x 40
<b>PACKED WEIGHT (lbs)</b>	198	231	264
<b>COMPLIES WITH SPEC</b>	NSF	NSF	NSF

Note: Output performance figures quoted are dependant on various factors.

Website: [www.anvilworld.com](http://www.anvilworld.com)

