



Item No. \_\_\_\_\_

Quantity \_\_\_\_\_

**Model No.  
6480 Series  
SHELF MERCHANDISER**



6480-18S-B



6480-36S

The Shelf Merchandiser Series is available with slanted or horizontal shelves. It's designed to hold pizza, sandwiches, snacks, and other baked goods. The unit is capable of maintaining safe food temperatures for extended periods of time. The merchandiser is equipped with two thermostats so each shelf can operate independently. Each shelf also has an aluminum dissipater plate for even heat distribution and is illuminated with two - 40 watt shatter proof bulbs. The distance between shelves is approximately 6 7/8".

**Standard Features:**

- Aluminum dissipater plate for even heat distribution
- Stainless steel exterior
- Tempered glass sides
- Independent heat & light controls for each shelf
- Adjustable thermostat
- Adjustable divider rods for easy organization of food product
- 2 1/2" adjustable feet (-24, -30, -36 models)
- 1/2" feet - (18 model)
- One year parts and labor warranty
- UL, CUL and NSF Listed

**Optional Accessories:**

- Colors - Black, Red, or Green powder coated finish
- 2 1/2" adjustable feet (-18 model)
- 4" Feet (All models)
- Additional divider rods

Food Capacity (4" diameter sandwich)				
	6480-18 Series	6480-24 Series	6480-30 Series	6480-36 Series
Dual Shelf	24	36	48	60
Single Shelf	12	18	24	30

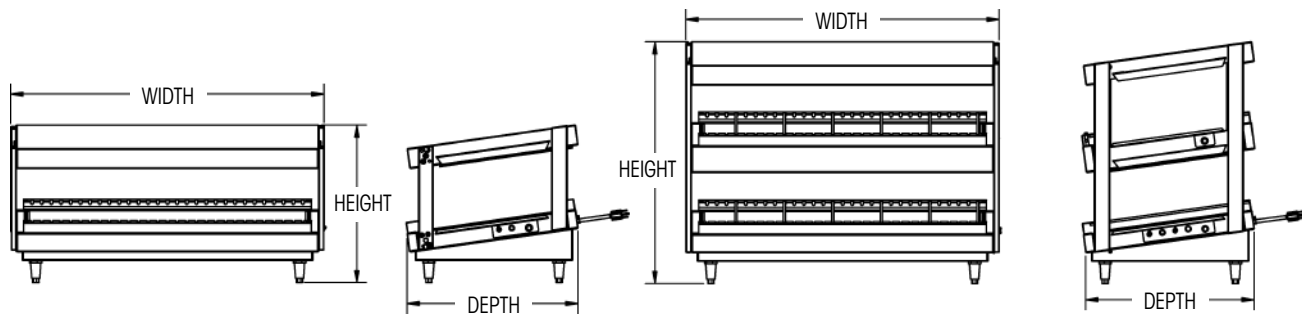


NEMCO Food Equipment, Ltd.  
301 Meuse Argonne Ave.  
Hicksville, OH 43526  
Phone (419) 542-7751  
FAX (419) 542-6690  
www.nemcofoodequip.com

# Shelf Merchandiser

## Model No.

### 6480 Series



## Specifications

	Model No.	Width Inches (cm)	Depth Inches (cm)	Height Inches (cm)	Voltage	Rated Wattage	Nominal Amps	Plug Configuration	Unit Weight lbs./ (Kg)**	Shipping Weight lbs./ (Kg)**
<b>Horizontal Models</b>										
Dual Shelf	6480-18	18" (45.7)	19 1/2" (49.5)	21 7/8" (55.6)	120	860	7.2	NEMA 5-15P	65 (29.5)	90 (40.8)
	6480-24	24" (61.0)	19 1/2" (49.5)	24" (61.0)	120	1160	9.7	NEMA 5-15P	75 (34.0)	100 (45.4)
	6480-30	30" (76.2)	19 1/2" (49.5)	24" (61.0)	120	1460	12.2	NEMA 5-15P	85 (38.6)	110 (49.9)
	6480-36	36" (91.4)	19 1/2" (49.5)	24" (61.0)	120	1800	15.0	NEMA 5-20P	95 (43.1)	120 (54.4)
Single Shelf	6480-181	18" (45.7)	19 1/2" (49.5)	21 3/4" (32.3)	120	430	3.6	NEMA 5-15P	50 (22.7)	60 (27.2)
	6480-241	24" (61.0)	19 1/2" (49.5)	14 3/8" (36.5)	120	580	4.8	NEMA 5-15P	60 (27.2)	70 (31.8)
	6480-301	30" (76.2)	19 1/2" (49.5)	14 3/8" (36.5)	120	730	6.1	NEMA 5-15P	70 (31.8)	80 (36.3)
	6480-361	36" (91.4)	19 1/2" (49.5)	14 3/8" (36.5)	120	900	7.5	NEMA 5-15P	80 (36.3)	90 (40.8)
<b>Slanted Models</b>										
Dual Shelf	6480-18S	18" (45.7)	19 3/4" (50.2)	25 3/8" (64.5)	120	860	7.2	NEMA 5-15P	65 (29.5)	90 (40.8)
	6480-24S	24" (61.0)	19 3/4" (50.2)	27 1/2" (64.9)	120	1160	9.7	NEMA 5-15P	75 (34.0)	100 (45.4)
	6480-30S	30" (76.2)	19 3/4" (50.2)	27 1/2" (64.9)	120	1460	12.2	NEMA 5-15P	85 (38.6)	110 (49.9)
	6480-36S	36" (91.4)	19 3/4" (50.2)	27 1/2" (64.9)	120	1800	15.0	NEMA 5-20P	95 (43.1)	120 (54.4)
Single Shelf	6480-18S1	18" (45.7)	19 3/4" (50.2)	16" (40.6)	120	430	3.6	NEMA 5-15P	50 (22.7)	60 (27.2)
	6480-24S1	24" (61.0)	19 3/4" (50.2)	18" (45.7)	120	580	4.8	NEMA 5-15P	60 (27.2)	70 (31.8)
	6480-30S1	30" (76.2)	19 3/4" (50.2)	18" (45.7)	120	730	6.1	NEMA 5-15P	70 (31.8)	80 (36.3)
	6480-36S1	36" (91.4)	19 3/4" (50.2)	18" (45.7)	120	900	7.5	NEMA 5-15P	80 (36.3)	90 (40.8)

Stainless Steel is standard

\* Optional colors - Black (B), Red (R), Green (G) - (please specify color letter at end of model number)

\*\* Unit and Shipping weights are estimates

### Typical Specifications

NEMCO's Dual Shelf Merchandiser Series shall be constructed of 400 series stainless steel exterior, aluminum shelf and tempered glass sides. It shall have a foil rope element in each shelf and calrod heaters above each shelf. Each shelf shall have adjustable setting conduction type thermostats, so they can operate independently. 120 volt models shall have a cord and NEMA 5-15P plug. This Shelf Merchandiser shall carry the approval of UL, cUL and will be listed with the National Sanitation Foundation.



NEMCO Food Equipment, Ltd.  
 301 Meuse Argonne Ave.  
 Hicksville, OH 43526  
 Phone 419-542-7751  
 FAX 419-542-6690  
[www.nemcofoodequip.com](http://www.nemcofoodequip.com)

