



Service Faucet with Long Spout

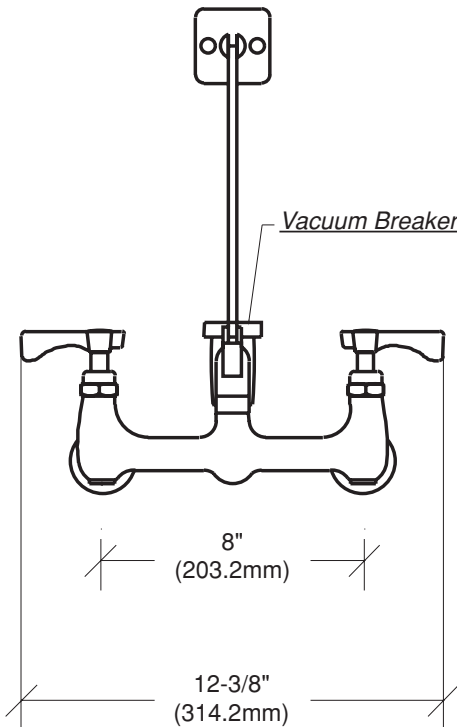
Model: **16-127**

Item #: _____ Quantity: _____

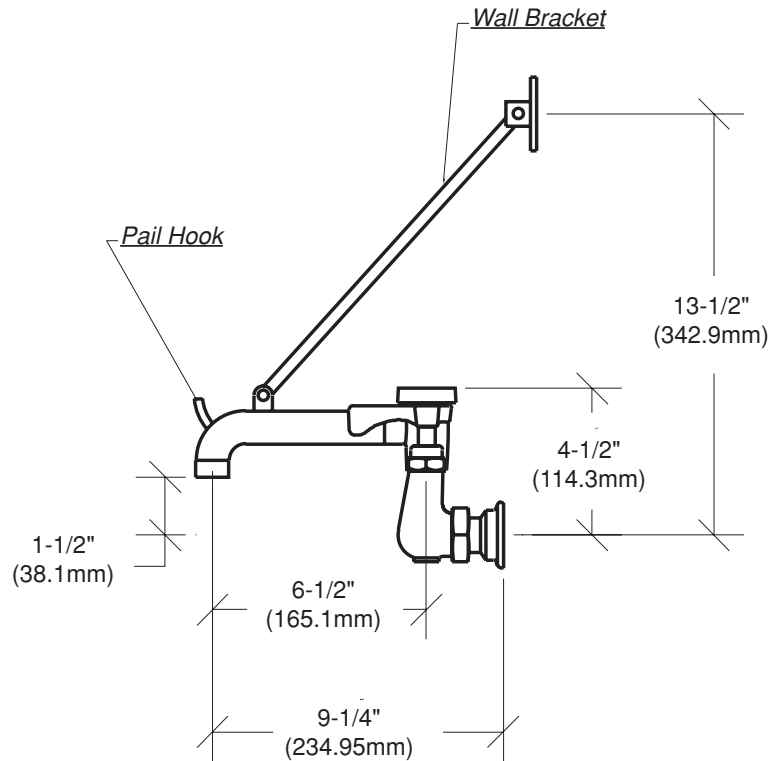
Project: _____



Plumbing



Front View



Side View

FEATURES:

- 1/4 TURN HIGH PERFORMANCE CERAMIC CARTRIDGE VALVES WITH BUILT IN BACK FLOW PREVENTORS
- HEAVY DUTY FLANGES WITH ECCENTRIC FITTINGS FOR QUICK INSTALLATIONS
- BUILT IN VACUUM BREAKER
- 6 1/2" HEAVY CAST SPOUT WITH PAIL HOOK AND 3/4" HOSE THREAD
- WALL BRACKET FOR SPOUT SUPPORT INCLUDED
- ROUGH CHROME FINISH
- MOUNTING KIT INCLUDED (1/2" NPT X 1 1/2" MALE NIPPLES WITH LOCK NUTS)
- 1 YEAR WARRANTY

SPECS:

- 8" ON CENTER WALL MOUNT WITH 1/2" NPT FEMALE INLETS
- ROUGH IN: TWO 7/8" ROUND HOLES ON 8" CENTERS
- TEMP RANGE: 40°F TO 180°F
- SHIPPING WEIGHT: 13 LBS

Approved By: _____

Due to our commitment to continued product improvement, specifications are subject to change without notice.

Krowne Metal Corporation
 100 Haul Road Wayne, New Jersey 07470
www.krowne.com

Phone: 800-631-0442
FAX: 973-872-1129