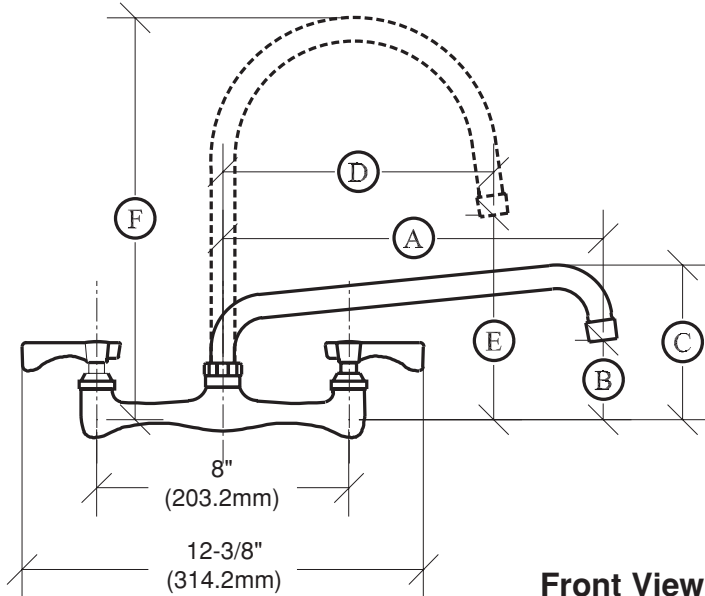


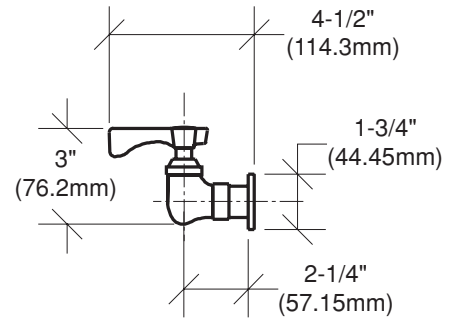
Model: _____

Item #: _____ Quantity: _____

Project: _____



Front View



Side View

MODEL NO.	A	B	C
12-806	6"	1 7/8"	4 3/8"
12-808	8"	1 7/8"	4 3/8"
12-810	10"	2 1/8"	4 5/8"
12-812	12"	2 5/8"	5 1/8"
12-814	14"	3"	5 1/2"
12-816	16"	4"	6 1/2"
12-818	*18"	5"	7 1/2"
12-824	*24"	5"	7 1/2"

Gooseneck Spouts

MODEL NO.	D	E	F
12-801	6"	5 1/2"	9 1/2"
12-802	8 1/2"	7"	12 3/8"

*double jointed spouts

FEATURES:

- MOUNTING FLANGES WITH ECCENTRIC FITTINGS FOR QUICK INSTALLATIONS
- HEAVY DUTY SPOUT WITH DOUBLE O-RING CONSTRUCTION WITH WELDED SHOULDER FOR DURABILITY
- HIGH PRECISION MACHINING AND POLISHED NICKEL CHROMIUM FINISH
- COLOR CODED HANDLES
- OPTIONAL WRIST BLADE HANDLES AVAILABLE
- FULL REPLACEMENT PARTS AVAILABLE

SPECS:

- 8" ON CENTER WALL MOUNT WITH 1/2" NPT FEMALE INLETS
- ROUGH IN: TWO 7/8" ROUND HOLES ON 8" CENTERS
- SHIPPING WEIGHT: 4 LBS

Approved By: _____

Due to our commitment to continued product improvement, specifications are subject to change without notice.