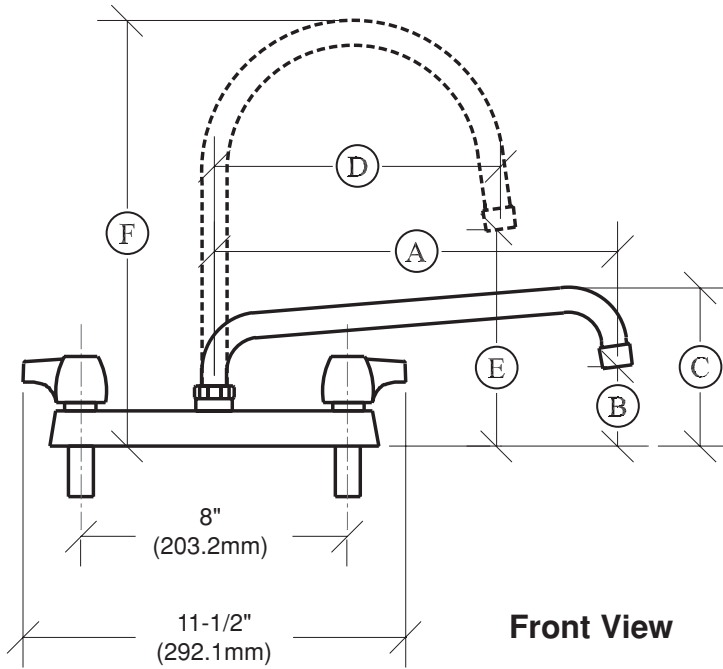


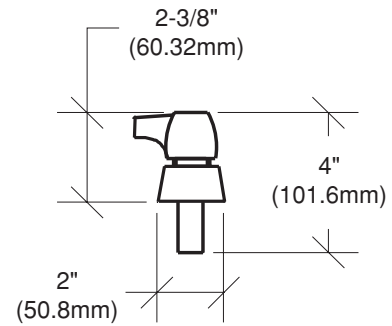
Model: _____

Item #: _____ Quantity: _____

Project: _____



Front View



Side View

Gooseneck Spouts

MODEL NO.	A	B	C
13-806	6"	1 7/8"	4 3/8"
13-808	8"	1 7/8"	4 3/8"
13-810	10"	2 1/8"	4 5/8"
13-812	12"	2 5/8"	5 1/8"
13-814	14"	3"	5 1/2"
13-816	16"	4"	6 1/2"
13-818	*18"	5"	7 1/2"
13-824	*24"	5"	7 1/2"

MODEL NO.	D	E	F
12-801	6"	5 3/8"	9 3/8"
12-802	8 1/2"	7"	12 3/8"

*double jointed spout

FEATURES:

- HEAVY DUTY SPOUT WITH DOUBLE O-RING CONSTRUCTION WITH WELDED SHOULDER FOR DURABILITY
- HIGH PRECISION MACHINING AND POLISHED NICKEL CHROMIUM FINISH
- COLOR CODED HANDLES
- OPTIONAL WRIST BLADE HANDLES AVAILABLE
- FULL REPLACEMENT PARTS AVAILABLE

SPECS:

- 8" ON CENTER DECK MOUNT WITH 1/2" NPT MALE INLETS
- ROUGH IN: TWO 7/8" ROUND HOLES- ON 8" CENTERS
- SHIPPING WEIGHT: 3 LBS

Approved By: _____

Due to our commitment to continued product improvement, specifications are subject to change without notice.