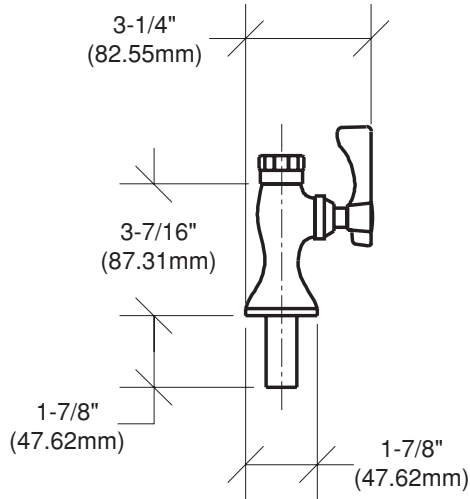


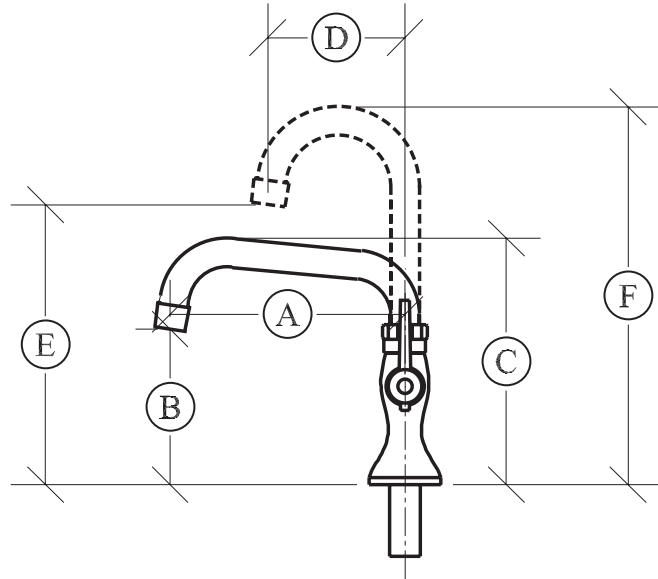
Model: _____

Item #: _____ Quantity: _____

Project: _____



Front View



Side View

| MODEL NO. | A | B | C |
|-----------|-----|--------|--------|
| 16-108 | 6" | 4 1/2" | 7" |
| 16-109 | 12" | 5 1/4" | 7 3/4" |

Gooseneck Spouts

| MODEL NO. | D | E | F |
|-----------|--------|--------|---------|
| 16-115 | 3 1/2" | 7 7/8" | 10 1/2" |
| 16-116 | 6" | 7 7/8" | 11 7/8" |

FEATURES:

- HEAVY DUTY SOLID BRASS SPOUT WITH DOUBLE O-RING CONSTRUCTION WITH REINFORCED SHOULDER FOR DURABILITY
- HIGH PRECISION MACHINING AND POLISHED NICKEL CHROMIUM FINISH
- FULL REPLACEMENT PARTS AVAILABLE

SPECS:

- SINGLE HOLE DECK MOUNT WITH 1/2" NPT MALE INLET WITH 1/4"
- ROUGH IN: 7/8" ROUND HOLE
- SHIPPING WEIGHT: 4 LBS

Approved By: _____

Due to our commitment to continued product improvement, specifications are subject to change without notice.