

# SOMERSET®

Tel: 978.667.3355

800.772.4404

Fax: 978.671.9466

Email: somerset@smrset.com

[www.smrset.com](http://www.smrset.com)



## CDR-300

## DOUGH SHEETER

### **IDEAL FOR:**

- Fondant
- Cinnamon Rolls
- Yeast Raised Donuts
- Danishes
- Pastry Production
- Dough Lamination
- Pie Crusts
- Pizza
- Pasta

### **HIGHLIGHTS:**

- Sheets dough up to 15" (38cm) wide
- Sheets 500-600pcs. per hour
- Ships standard with synthetic, non-stick rollers
- Ergonomic design makes it easy and simple to operate
- All stainless steel construction offers safety, sanitation, speed, simplicity, durability, and low cost

*The most versatile 15" (38cm) tabletop sheeter available!*



*The ultimate compact sheeter!  
Sheets dough to a uniformed thickness in seconds!*

**SOMERSET INDUSTRIES, INC • 137 PHOENIX AVE • LOWELL, MA 01852 • U.S.A.**

CDR-300 SYNTHETIC ROLLERS

CDR-300M METALLIC ROLLERS

### FEATURES

- Simple handle adjustments for exact uniform dough thickness
- Synthetic rollers eliminate dough build up
- Safety sensors for automatic shutoff
- Compact design, ideal for use in limited space
- Ergonomic design for easy operation
- Convenient side operation
- Maintenance free drive mechanism
- Drive mechanism isolated from roller area
- Safe, simple, easy to operate, easy to clean
- Sanitary, heavy duty, all stainless steel welded construction
- Spring loaded scrapers readily removable for easy cleaning



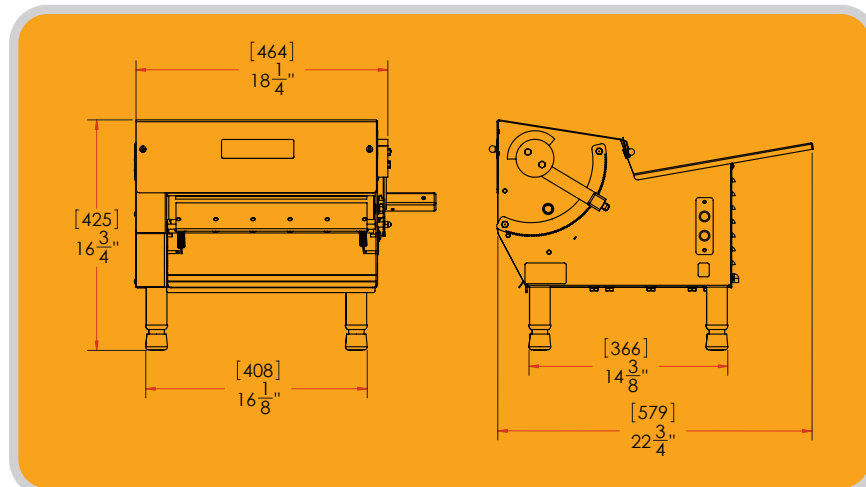
**Model**  
**CDR-300F with tray**

### INDUSTRY USES:

- Bakeries
- Donut Shops
- Cafes
- Institutions
- Schools
- Hospitals
- Pizzerias

### SPECIFICATIONS

(Specifications subject to change without notice)



**Rollers:** 3.5" (9cm) dia. by 15" (38cm) length

**Scrapers:** Synthetic, Spring Loaded, Removable

**Bearings:** Sealed Ball Bearings, Permanently Lubricated

**Gear Motor:** Heavy Duty 1/2 HP, Maintenance Free, Single Phase, 115v/60Hz or 220v/50Hz

**Finishing:** All Stainless Steel

**Legs:** 4" Adjustable, Stainless Steel

**Weight:** 115lbs (52Kgr)

**Shipping Weight:** 150lbs (68Kgr)